

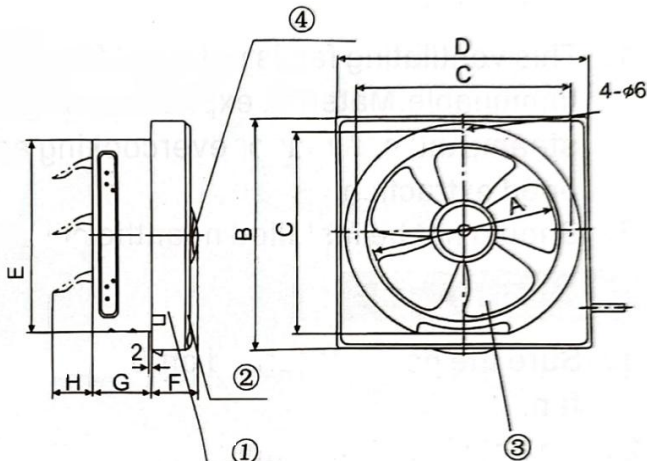
**OSAKI PVC SHUTTER EXHAUST FAN 200MM (8")**

Specifications:	DESIGN
<b>Exterior :</b>	
Blade Size	200mm(8")
Blade Type	Polypropylene
Number of Blades	6
Speed	N/A
Colour	White
Plug	Without Plug
Power Cord	3*0.50*0.50m
Net Weight	1.7kg
<b>Technical :</b>	
RPM	1280r/min
Air Delivery	7.5m <sup>3</sup> /min
Voltage ( AC )	220~240V/50Hz
Power	30W
<b>Others :</b>	
Warranty	12 Months
Packing Size	68*32*32(cm)
Barcode	9 555106 310351



[Click here for more info](#)

<b>Cut hole :</b>			
①	<b>BODY</b>		
②	<b>LOUVER</b>		
③	<b>BLADE</b>		
④	<b>SPINNER</b>		
<b>A</b>	<b>B</b>	<b>C</b>	<b>D</b>
200	295	255	295
<b>E</b>	<b>F</b>	<b>G</b>	<b>H</b>
230	45	85	35



**Features :**

- 100% full copper motor - Improved full load efficiency
- Ball bearing system - Smooth oscillation and rotation motion
- Temperature protector - Protection against overheating
- Wall mounted type - Installment at higher elevation
- Plastic shutter - Lightweight and compatible with wet environments

**Standards : MS IEC 60335-1**